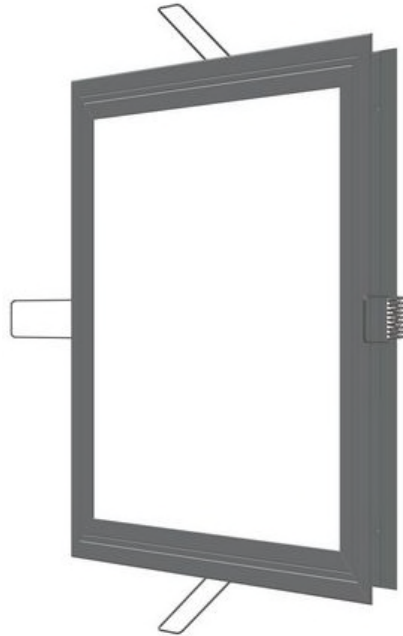


ENELTEC[®]

brighten your ideas

Spring Mounted LED Panels



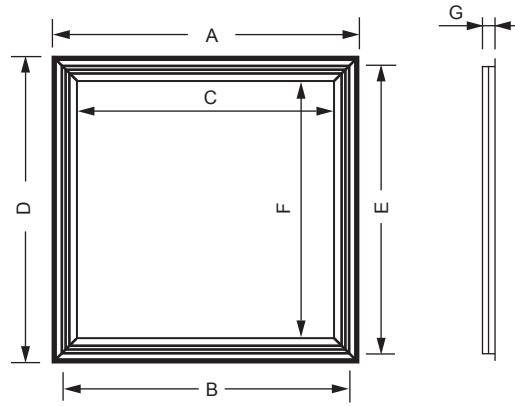
● **ENPL-02**

Specifications:

- Color: 3000K / 4000K / 5000K / 6000K
- Beam Angle: 120°
- Voltage: 100-240VAC
- Material: Aluminium Alloy Fixture + PMMA Light Guide Panel
- Light Degradation: < 5% in 20,000 hours
- Warranty: 3 years

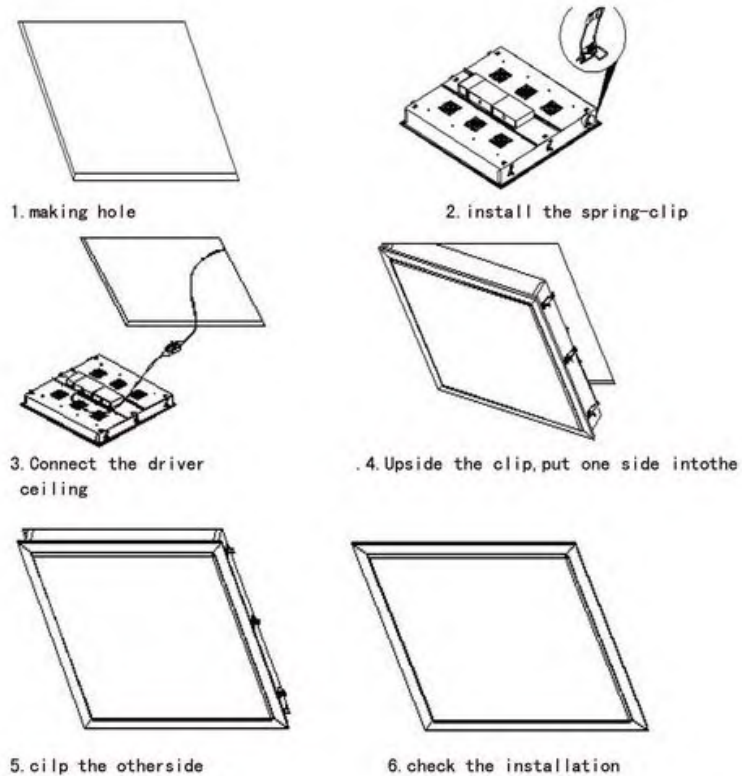


Dimensions:



No.	Model	Dimension (mm)						
		A	B	C	D	E	F	G
1	ENPL-2020-02	202.0	185.0	150.0	202.0	185.0	150.0	19.0
2	ENPL-3030-02	302.0	285.0	250.0	302.0	285.0	250.0	19.0
3	ENPL-3060-02	602.0	585.0	550.0	302.0	285.0	250.0	19.0
4	ENPL-6060-02	602.0	585.0	550.0	602.0	585.0	550.0	19.0
5	ENPL-20120-02	1202.0	1185.0	1150.0	202.0	185.0	150.0	19.0
6	ENPL-30120-02	1202.0	1185.0	1150.0	302.0	285.0	250.0	19.0

Installation Methods:



Packing:

No.	Model	Quantity	Packing Dimension (mm)	Net Weight /Gross Weight (Kgs)
1	ENPL-2020-02	20PCS	423×258×410	14.4/16.0
2	ENPL-3030-02	10PCS	377×333×350	11.7/13.0
3	ENPL-3060-02	10PCS	690×340×390	20.7/23.0
4	ENPL-6060-02	5PCS	685×635×200	19.8/22.0
5	ENPL-20120-02	5PCS	1280×240×200	14.4/16.0
6	ENPL-30120-02	5PCS	1290×340×200	24.3/27.0

Parameters:

No.	Model No.	Input Voltage	Power (W)	Lumen (Lm)	PF	Chips	LED	Power Supply	Beam Angle	Color	CRI	IP Rating
1	ENPL-2020-12W-02	100-240VAC	12	780	>0.9	Sanan	60PCS SMD 4014	CE Driver	120°	3000K/4000K/5000K/6000K	>80	IP44
2	ENPL-3030-12W-02	100-240VAC	12	840	>0.9	Sanan	60PCS SMD 4014	CE Driver	120°		>80	IP44
3	ENPL-3030-18W-02	100-240VAC	18	1314	>0.9	Sanan	90PCS SMD 4014	CE Driver	120°		>80	IP44
4	ENPL-3030-18W-02MW	100-240VAC	18	1314	>0.9	Sanan	90PCS SMD 4014	MEANWELL	120°		>80	IP44
5	ENPL-3030-24W-02	100-240VAC	24	1800	>0.9	Sanan	120PCS SMD 4014	CE Driver	120°		>80	IP44
6	ENPL-3030-24W-02MW	100-240VAC	24	1800	>0.9	Sanan	120PCS SMD 4014	MEANWELL	120°		>80	IP44
7	ENPL-3060-18W-02	100-240VAC	18	1350	>0.9	Sanan	90PCS SMD 4014	CE Driver	120°	3000K/4000K/5000K/6000K	>80	IP44
8	ENPL-3060-18W-02MW	100-240VAC	18	1350	>0.9	Sanan	90PCS SMD 4014	MEANWELL	120°		>80	IP44
9	ENPL-3060-24W-02	100-240VAC	24	1800	>0.9	Sanan	120PCS SMD 4014	CE Driver	120°		>80	IP44
10	ENPL-3060-24W-02MW	100-240VAC	24	1800	>0.9	Sanan	120PCS SMD 4014	MEANWELL	120°		>80	IP44
11	ENPL-3060-30W-02	100-240VAC	30	2310	>0.9	Sanan	150PCS SMD 4014	CE Driver	120°		>80	IP44
12	ENPL-3060-30W-02MW	100-240VAC	30	2310	>0.9	Sanan	150PCS SMD 4014	MEANWELL	120°		>80	IP44
13	ENPL-6060-24W-02	100-240VAC	24	1920	>0.9	Sanan	120PCS SMD 4014	CE Driver	120°	3000K/4000K/5000K/6000K	>80	IP44
14	ENPL-6060-24W-02MW	100-240VAC	24	1920	>0.9	Sanan	120PCS SMD 4014	MEANWELL	120°		>80	IP44
15	ENPL-6060-30W-02	100-240VAC	30	2460	>0.9	Sanan	150PCS SMD 4014	CE Driver	120°		>80	IP44
16	ENPL-6060-30W-02MW	100-240VAC	30	2460	>0.9	Sanan	150PCS SMD 4014	MEANWELL	120°		>80	IP44
17	ENPL-6060-36W-02	100-240VAC	36	3024	>0.9	Sanan	180PCS SMD 4014	CE Driver	120°		>80	IP44
18	ENPL-6060-36W-02MW	100-240VAC	36	3024	>0.9	Sanan	180PCS SMD 4014	MEANWELL	120°		>80	IP44
19	ENPL-6060-48W-02	100-240VAC	48	4080	>0.9	Sanan	240PCS SMD 4014	CE Driver	120°		>80	IP44
20	ENPL-6060-48W-02MW	100-240VAC	48	4080	>0.9	Sanan	240PCS SMD 4014	MEANWELL	120°		>80	IP44
21	ENPL-6060-60W-02	100-240VAC	60	5100	>0.9	Sanan	300PCS SMD 4014	CE Driver	120°		>80	IP44
22	ENPL-6060-60W-02MW	100-240VAC	60	5100	>0.9	Sanan	300PCS SMD 4014	MEANWELL	120°		>80	IP44
23	ENPL-20120-36W-02	100-240VAC	36	2808	>0.9	Sanan	180PCS SMD 4014	CE Driver	120°	3000K/4000K/5000K/6000K	>80	IP44
24	ENPL-20120-36W-02MW	100-240VAC	36	2808	>0.9	Sanan	180PCS SMD 4014	MEANWELL	120°		>80	IP44
25	ENPL-20120-48W-02	100-240VAC	48	3840	>0.9	Sanan	240PCS SMD 4014	CE Driver	120°		>80	IP44
26	ENPL-20120-48W-02MW	100-240VAC	48	3840	>0.9	Sanan	240PCS SMD 4014	MEANWELL	120°		>80	IP44
27	ENPL-30120-30W-02	100-240VAC	30	2400	>0.9	Sanan	150PCS SMD 4014	CE Driver	120°	3000K/4000K/5000K/6000K	>80	IP44
28	ENPL-30120-30W-02MW	100-240VAC	30	2400	>0.9	Sanan	150PCS SMD 4014	MEANWELL	120°		>80	IP44
29	ENPL-30120-36W-02	100-240VAC	36	2880	>0.9	Sanan	180PCS SMD 4014	CE Driver	120°		>80	IP44
30	ENPL-30120-36W-02MW	100-240VAC	36	2880	>0.9	Sanan	180PCS SMD 4014	MEANWELL	120°		>80	IP44
31	ENPL-30120-48W-02	100-240VAC	48	3936	>0.9	Sanan	240PCS SMD 4014	CE Driver	120°		>80	IP44
32	ENPL-30120-48W-02MW	100-240VAC	48	3936	>0.9	Sanan	240PCS SMD 4014	MEANWELL	120°		>80	IP44
33	ENPL-30120-60W-02	100-240VAC	60	4920	>0.9	Sanan	300PCS SMD 4014	CE Driver	120°		>80	IP44
34	ENPL-30120-60W-02MW	100-240VAC	60	4920	>0.9	Sanan	300PCS SMD 4014	MEANWELL	120°		>80	IP44