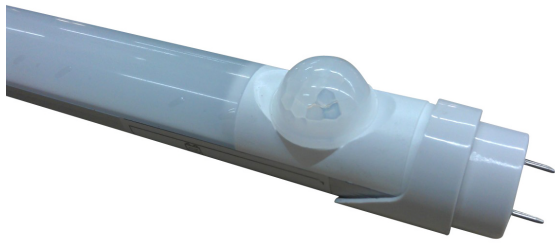


Motion Sensor Led Tubes



IR Sensor



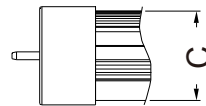
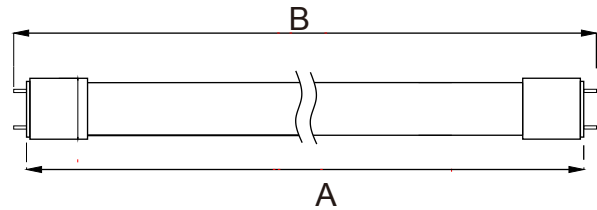
Radar (Microwave) Sensor

Specifications:

- Voltage: 100-240VAC
- Color: 2800-3300K / 4000-4500K / 5500-6000K
- Operating temperature: -40 to + 50°C
- Material: PC cover & Aluminum back
- Light Degradation: < 5% in 30,000 hours
- Warranty: 3 years



Model	Dimension (mm) A×B×C
ENLT-T8060	590×604×26
ENLT-T8120	1198×1212×26
ENLT-T8150	1498×1212×26



Applications:

High power LED tubes are designed for use in supermarkets, jeweller's shops, advertisement box, office building, or for direct replacement of conventional lamps.

Features and advantages:

- Direct replacement of conventional lamps
- LED life of 50,000 hours continuous work
- No hazard of mercury or lead entering the environment
- Solid-state, shock and vibration resistant light sources runs on
- Major reduction in power costs, maintenance free
- Generate little heat
- No fluorescent flickering
- No danger of broken glass
- Internal power supply with high power factor & low harmonic current

Testing Data:

Model	ENLT-T8060-NI-01(R)S	ENLT-T8120-NI-01(R)S	ENLT-T8150-NI-01(R)S
Power	9	18	22
Lumen (lm)	800	1750	2200
Input Voltage	100-240VAC		
Efficiency	50Hz/60Hz		
Power Factor	0.95		
Beam Angle	120°		
Color Temperature	2800-3300K / 4000-4500K / 5500-6000K		
CRI	80		
Inductive distance (m)	7	7	7
Inductive delay time (s)	40	40	40
Energy Saving Mode Power	0/30%		
Socket Type	G13		
Life time	>50,000 Hours		
Working Temperature	-40℃~50℃		
Working Humidity	10%~90%		
Material	PC+Aluminum		
Cover	Clear/Frosted		
IP Rating	IP20		

Packing:

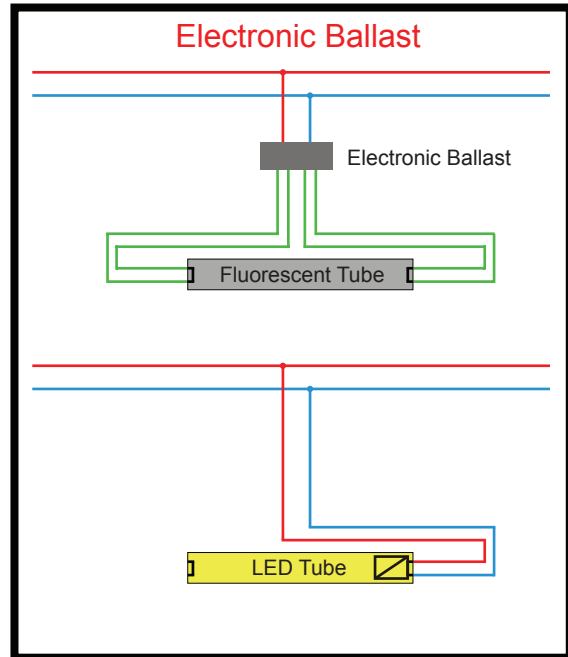
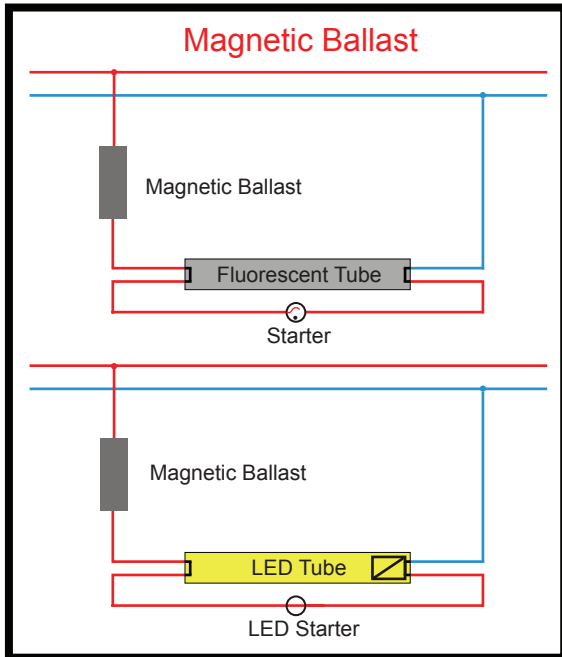
Model	ENLT-T8060-NI-01(R)S	ENLT-T8120-NI-01(R)S	ENLT-T8150-NI-01(R)S
Carton (mm)	627×240×250	1270×240×250	1570×240×250
Quantity	30PCS		
Net Weight (Kg)	6.3	11.9	15.6
Gross Weight (Kg)	8.0	14.5	17.5

Warning:

1. It is non-waterproof.
2. Please do not touch the products when they are working.

Wiring Diagram:

One side Input (Europe Standard)



Two sides Input (Others)

