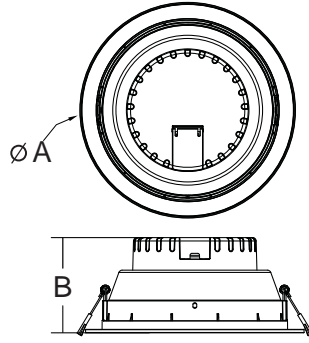


Economical LED Down Lights



EPISTAR



Hole Dimension
ØC

Model No.	Dimension (mm)		
	Diameter A	Height B	Hole C
ENDL-6WSMD-01	110	57.5	90
ENDL-8WSMD-01	125	62.3	105
ENDL-12WSMD-01	145	67	125
ENDL-15WSMD-01	165	72.7	145
ENDL-18WSMD-01	190	82.8	165
ENDL-22WSMD-01	230	93.8	200

Specifications:

- Power: 6-22W
- Beam Angle: 90°
- Voltage: 200-240VAC
- Color: 3000K / 4000K / 6000K
- Operating temperature: -20 to + 50°C
- Material: Aluminium Alloy Extruded Shape
- Light Degradation: < 5% in 20,000 hours
- Warranty: 2 years



● Parameters:

Model No.	ENDL-6WSMD-01	ENDL-8WSMD-01	ENDL-12WSMD-01	ENDL-15WSMD-01	ENDL-18WSMD-01	ENDL-22WSMD-01
Input Voltage	200-240VAC					
Frequency	50-60Hz					
Power Factor	0.5	0.5	0.5	0.9	0.9	0.9
Power (W)	6	8	12	15	18	22
LED	Epistar 2835					
Lumen (lm)	540	720	1080	1350	1620	1980
Luminous Efficiency	90lm/W					
CRI	>80					
Beam Angle	90°					
Color Temperature	3000K / 4000K / 6000K					
Packing Dimension (mm)	72pcs 505×380×485	48pcs 565×290×545	48pcs 645×330×575	36pcs 545×545×405	36pcs 620×620×445	16pcs 500×500×505
Net Weight/ Gross Weight (Kg)	72pcs 8.9/11.4	48pcs 7.8/10.3	48pcs 10.1/12.6	36pcs 9.4/11.9	36pcs 12.4/14.9	16pcs 8.2/10.7