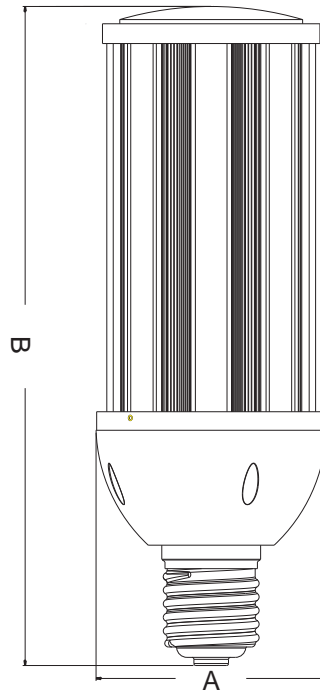


ENELTEC[®]

brighten your ideas

Dustproof LED Corn Lights



Model No.	Dimension (mm)	
	Diameter A	Height B
ENCL-27WE27-02	93	210
ENCL-27WE40-02	93	210
ENCL-36WE27-02	93	245
ENCL-36WE40-02	93	245
ENCL-45WE27-02	93	275
ENCL-45WE40-02	93	275
ENCL-54WE27-02	93	275
ENCL-54WE40-02	93	275

Specifications:

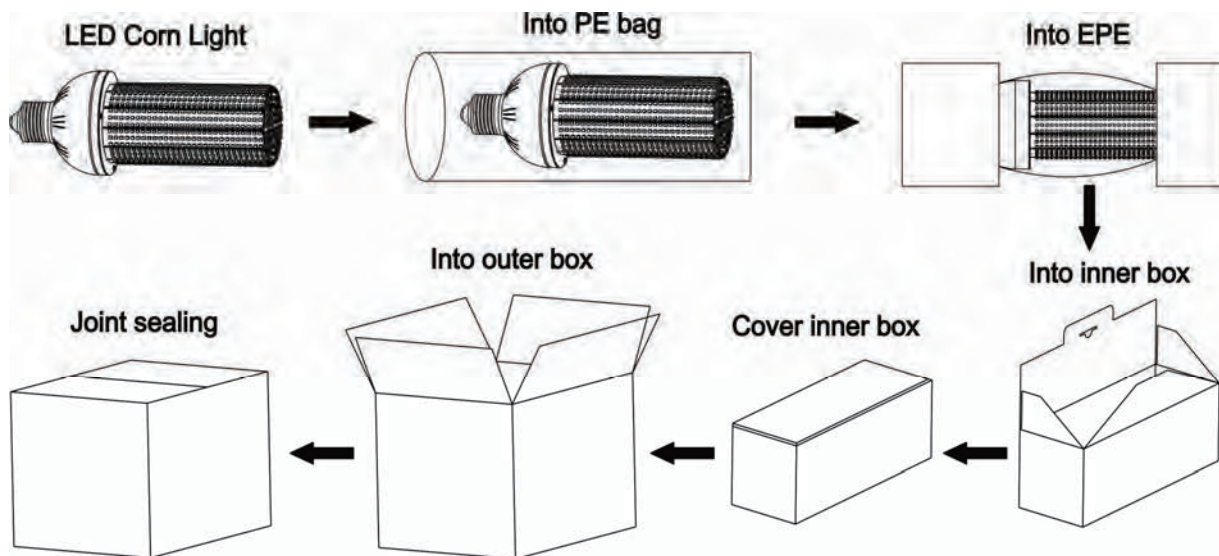
- Base: E26 / E27 / E39 / E40
- 360degree lighting, high CRI
- Internal driver, input voltage 85-300VAC
- No UV or IR in the beam
- Easy to install and operate
- Energy saving, long service life
- Light is soft and uniform, safe to eyes
- Instant start, NO flickering, NO humming
- Green and eco-friendly without mercury



● Parameters:

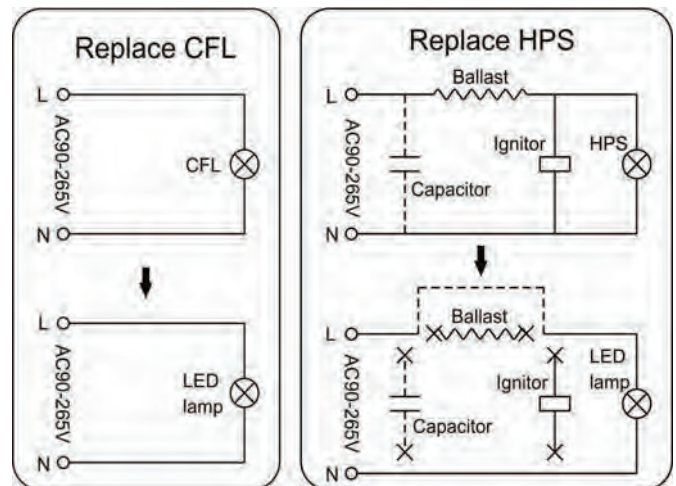
Model No.	ENCL-27WE27-02 ENCL-27WE40-02	ENCL-36WE27-02 ENCL-36WE40-02	ENCL-45WE27-02 ENCL-45WE40-02	ENCL-54WE27-02 ENCL-54WE40-02
Input Voltage	85-300VAC			
Frequency	50/60Hz			
Power Factor	0.9	0.9	0.9	0.9
Power (W)	27	36	45	54
LED	90pcs 5630 Sumsung	117pcs 5630 Sumsung	144pcs 5630 Sumsung	144pcs 5630 Sumsung
Lumen (lm)	2900	3800	4600	5600
Equivalent	150W Incandescent/ 60W CFL	250W Incandescent/ 80W CFL	300W Incandescent/ 100W CFL	350W Incandescent/ 120W CFL
CRI	>80			
Beam Angle	360°			
Color Temperature	3000-3500K / 4000-4500K / 6000-6500K			
Operating Environment	-20°C TO 45°C, 20%-70% RH			
Storage Environment	-30°C TO 80°C, 10%-75% RH			
IP Level	IP65			
Housing	PC			
Housing Color	White			
Packing Dimension (mm)	12pcs 510×380×310	12pcs 510×380×310	12pcs 510×380×330	12pcs 510×380×330
Net Weight/ Gross Weight (Kg)	12pcs 5.4/8.2	12pcs 5.4/8.2	12pcs 6.0/8.8	12pcs 6.0/8.8

● Packing:



● Caution:

- Please turn off power before install or change assembly parts.
- The input voltage and lamps should be matched, after connecting the power line, please make sure the wiring section is insulated.
- Make sure to remove or bypass the electronic ballast in the fixtures before install the lamps.
- Please don't use the lamps in closed fixtures, for closed fixtures, we suggest using external drive for the lamps.
- No-professionals, must not install and disassemble the lamps.



● Trouble Shootings:

Troubles	Check points
Flickering of the lamps	Turn off the power and turn on again in 3 minutes. If same phenomena occur, then call agencies
Out of working	Please check the connection